



SIMULATION AND CONTROL TECHNOLOGIES, INC.

42 Corbettsville Road

Conklin, NY 13748

PHONE (607) 722-3450 -- FAX (607) 722-3486

Model 2645 Actuator Specification

RESTRICTION ON DISCLOSURE AND USE OF DATA

This report includes data that shall not be duplicated, used, or disclosed, in whole or in part, for any purpose other than as specified in the Buyer's contract. This restriction does not limit the Buyer's right to use information contained in this data if it is obtained from another source without restriction

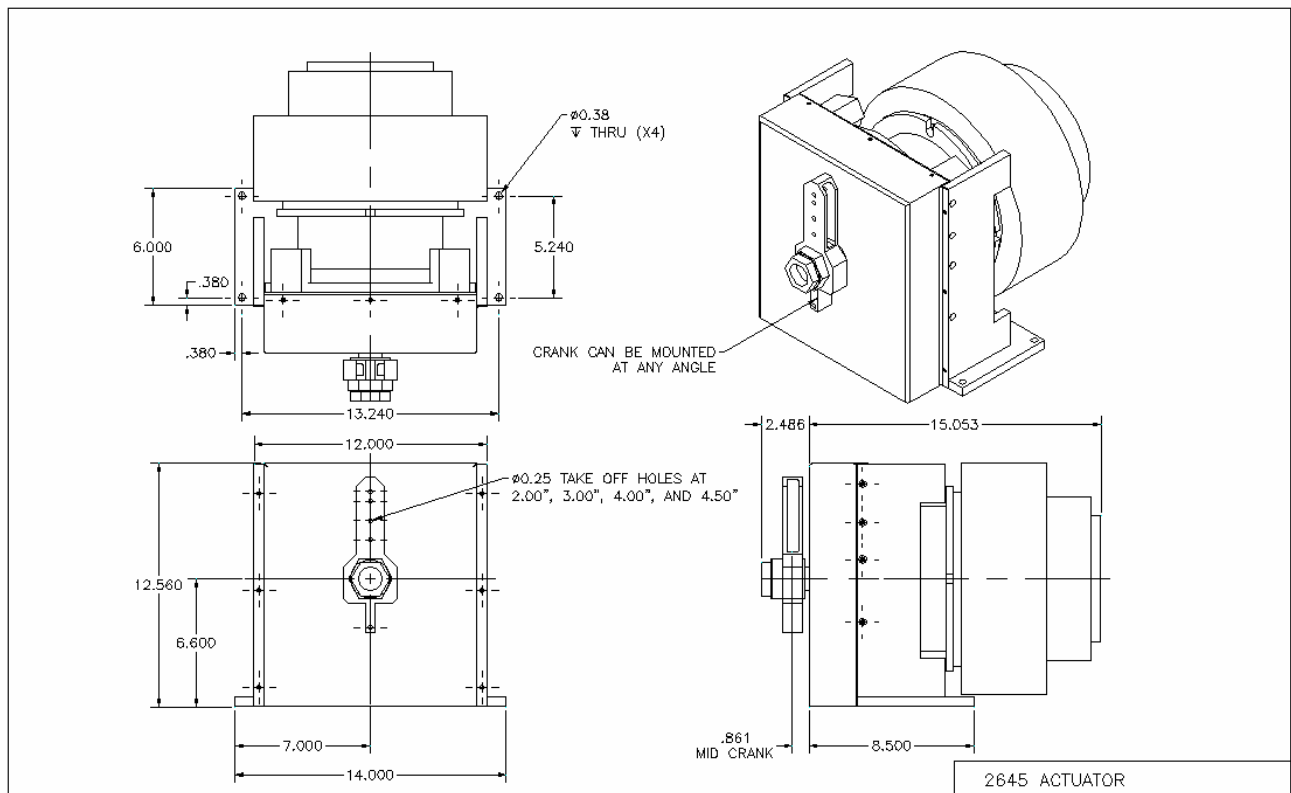


SIMULATION AND CONTROL TECHNOLOGIES, INC.

42 Corbettsville Road
 Conklin, NY 13748
 PHONE (607) 722-3450 -- FAX (607) 722-3486

Model 2645 Actuator

Takeoff Point	Stroke	Continuous Force LBS	Peak Force LBS	Speed (No Load)
1.732 Inch	± 1.00 Inch	2550 LBS	5100 LBS	720 deg/sec
3.464 Inch	± 2.00 Inch	1275 LBS	2550 LBS	720 deg/sec



Note: Standard SCT takeoff arm shown