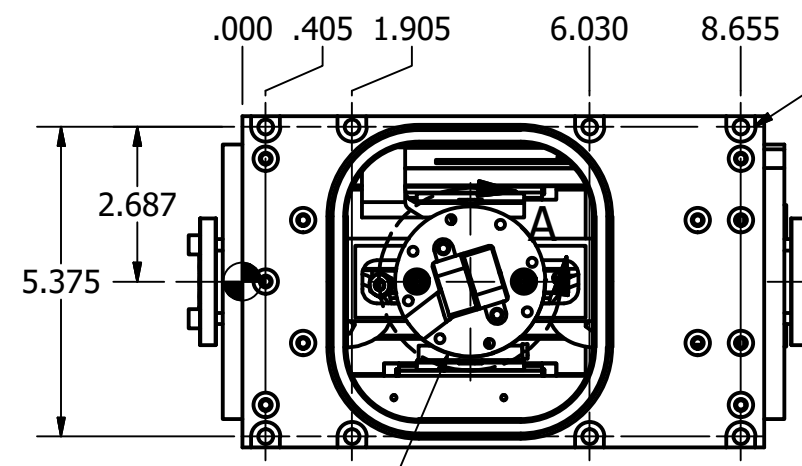
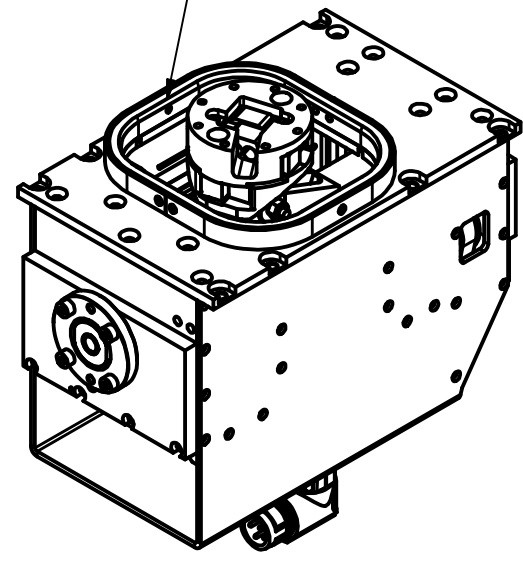


NOTES:

REVISION HISTORY				
ZONE	REV	DESCRIPTION	DATE	APPROVED
N/A	-	RELEASED		

PIVOT BOOT COVERS  
INTERNAL COMPONENTS  
FOR THE DRIVE ENVELOPE



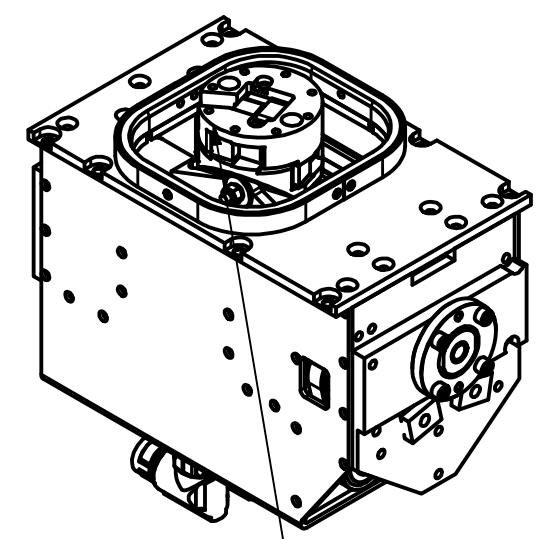
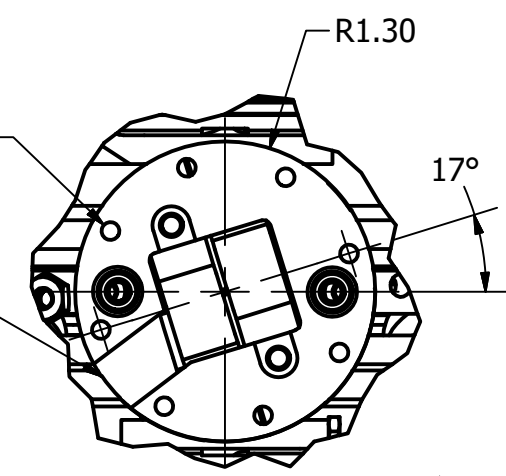
STANDARD DZUS  
FASTENERS (X8)

X/Y OR PITCH/ ROLL  
LOAD CELL

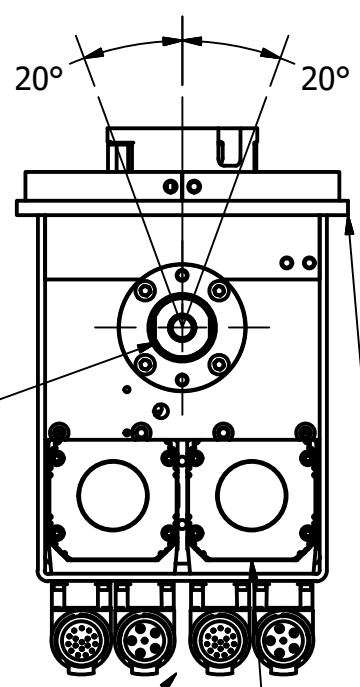
DETAIL A

GRIP INTERFACE  
10-32 UNF (X8)  
ON A 2.25" B.C.

GRIP SWITCH WIRE PATH  
THRU LOAD CELL DOWN  
THRU UNIT

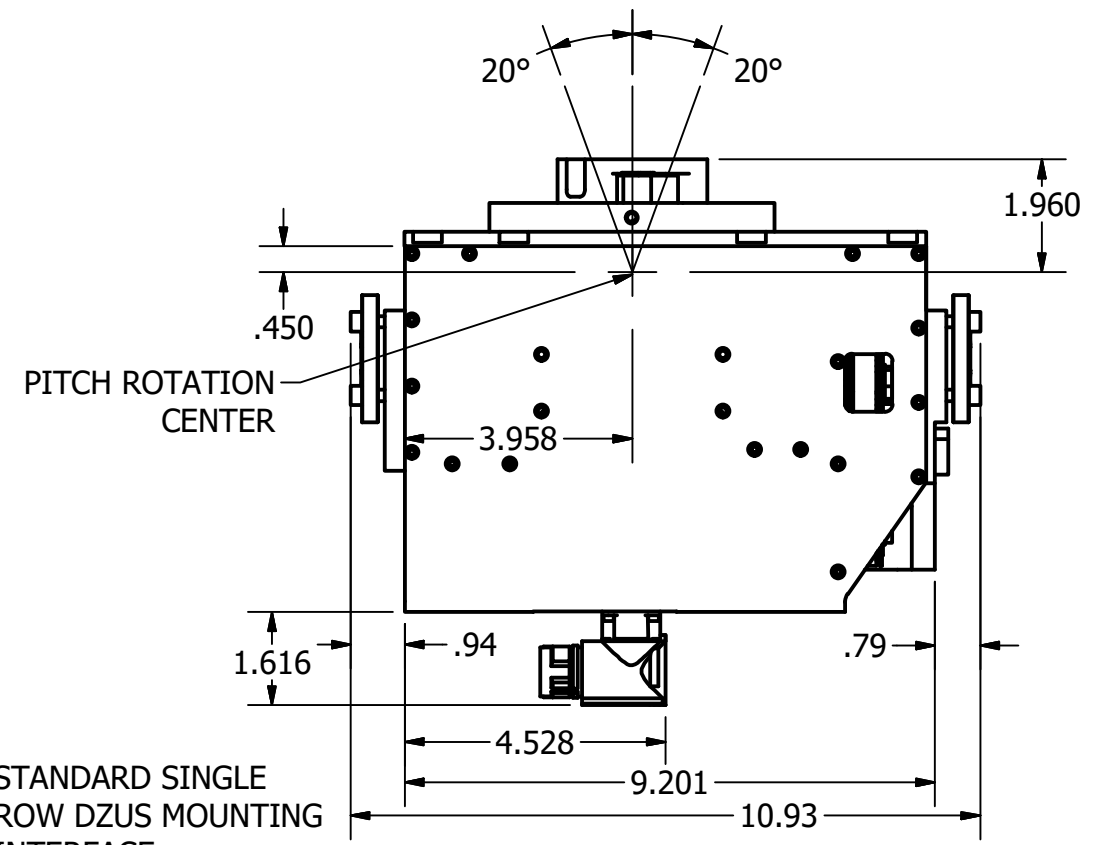


CONTINUOUS  
TORQUE OUTPUT:  
PITCH 345 INLB  
ROLL 403 INLB  
FORCE OUTPUT IS  
DEPENDENT ON GRIP  
LENGTH



ROLL ROTATION  
CENTER

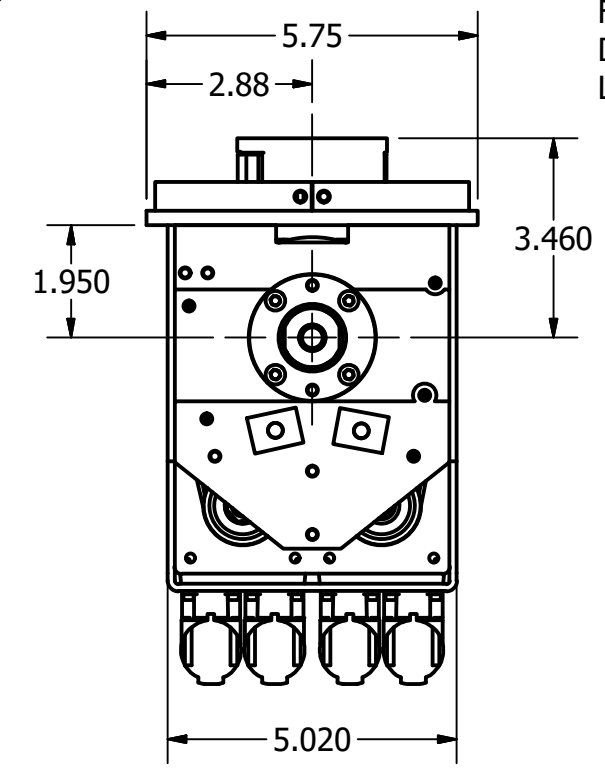
POWER/FEEDBACK  
CONNECTION



PITCH ROTATION  
CENTER

STANDARD SINGLE  
ROW DZUS MOUNTING  
INTERFACE

LOADCELL ELECTRICAL  
INTERFACE ON DANGLE  
FOR EACH AXIS



UNLESS OTHERWISE SPECIFIED DIMENSIONS  
ARE IN INCHES TOLERANCES ARE:  
.XX ± .010  
.XXX ± .005  
ANGLES ± 0.25° DO NOT SCALE PRINT  
MATERIAL  
FINISH BLACK ANODIZED

CONTRACT  
MODULAR SIDE STICK  
DESIGN  
D.MCGUIRE 4/27/2016  
DATE  
DRAWN  
D.MCGUIRE 11/28/2017  
DATE  
CHECKED  
DATE

42 Corbettsville Road  
Conklin, NY 13748  
Phone (607) 722-3450  
Fax (607) 722-3486  
MODULAR SIDE STICK  
DRAWING NO. 160079  
FSCM# 1BLB8  
SIZE B  
REV -  
PG 1  
OF 1  
COMPUTER  
GENERATED