



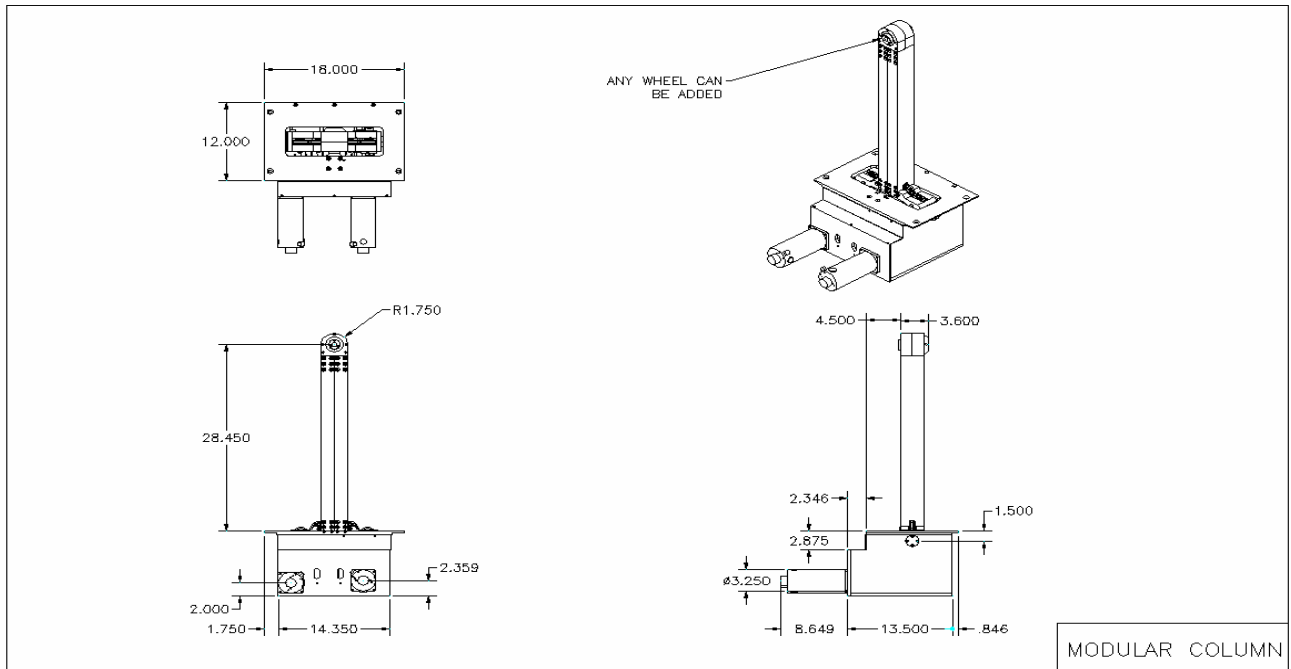
SIMULATION AND CONTROL TECHNOLOGIES, INC.

42 Corbettsville Road

Conklin, NY 13748

PHONE (607) 722-3450 -- FAX (607) 722-3486

Modular Column





SIMULATION AND CONTROL TECHNOLOGIES, INC.

42 Corbettsville Road

Conklin, NY 13748

PHONE (607) 722-3450 -- FAX (607) 722-3486

Continuous Force LBS	Peak Force LBS	Speed (No Load)
70 LBS	140 LBS	16 In/Sec

RESTRICTION ON DISCLOSURE AND USE OF DATA

This report includes data that shall not be duplicated, used, or disclosed, in whole or in part, for any purpose other than as specified in the Buyer's contract. This restriction does not limit the Buyer's right to use information contained in this data if it is obtained from another source without restriction